

tedee



Enter in a new way.

tedee Go - Data Sheet

ACCESS²

SECURITY | CONTROL | ACCESS



tedee go

You will install your Tedee GO in minutes, using your current lock cylinder – without hardware replacement.

Tedee GO is a key-turner, so you don't have to replace your keys. It only takes three screws to fix and secure the smart lock's regular fit on your door.

Connects to tedee bridge for remote features and integration with smart home systems.

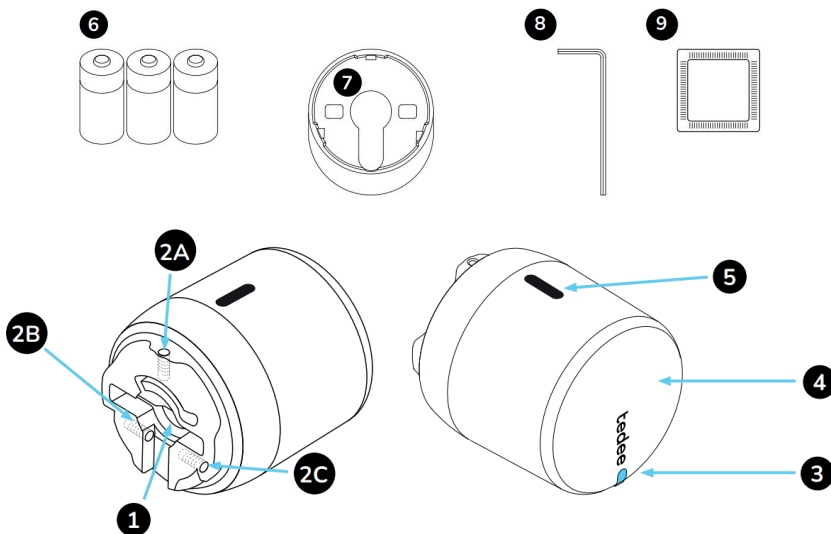
Requires a dedicated cylinder or adapter for your lock type.

Available in white/silver and graphite colourways.

Technical Specification

| | |
|-----------------------|---|
| Model | TLV2.0 |
| Weight | ca. 196g |
| Dimensions | Ø 58mm x 65mm |
| Operating temperature | 10-40°C(indoor only) |
| Operating humidity | max. 65% |
| Torque | 1.6 Nm |
| Made in | Poland, EU |
| Power supply | 3x CR123/CR123A battery |
| Battery life | Up to 6-8 months |
| Security | TLS 1.3 |
| Can be paired with | Tedee bridgeTedee keypad |
| Can be installed on | Euro-profile cylinders, equipped with double-clutch (emergency) feature |

Whats in the box:



1. Key bow hole
2. Mounting screws (2A, 2B, 2C)
3. LED
4. The button
5. Latch button (press to slide off the cover)
6. 3x CR123 batteries
7. Adapter (for fixing with an adhesive tape)
8. Allen key size 2
9. Cleansing wipe pad

Enter the smart world.

Send an email to **sales@access.com** or
call **+44 (0)191 215 0530** to place an order

access2.com

 [Access2](#)

 [Access2hq](#)

 [Access2hq](#)